



**SALTO**  
inspired **access**

SALTO Systems | XS4 EURO LOCK DIN



## XS4 EURO Lock DIN

The XS4 Euro lock is a mortise lock with latch projection which means the latch is automatically projected and deadlocked when the door is closed. This mortise lock is suitable for all kinds of wooden door whether it's a hotel room, office or warehouse door etc. The new latch projection function increases security by making it impossible to gain access by using plastic cards. For additional security SALTO also offers the option to order this lock with deadbolt.

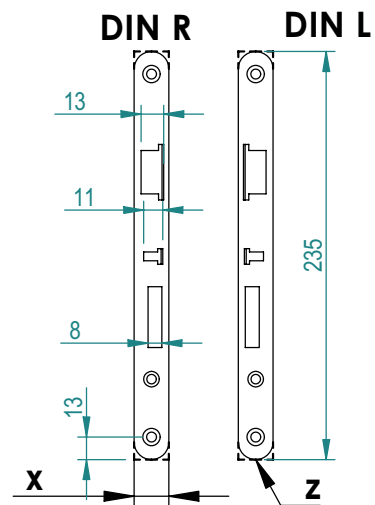
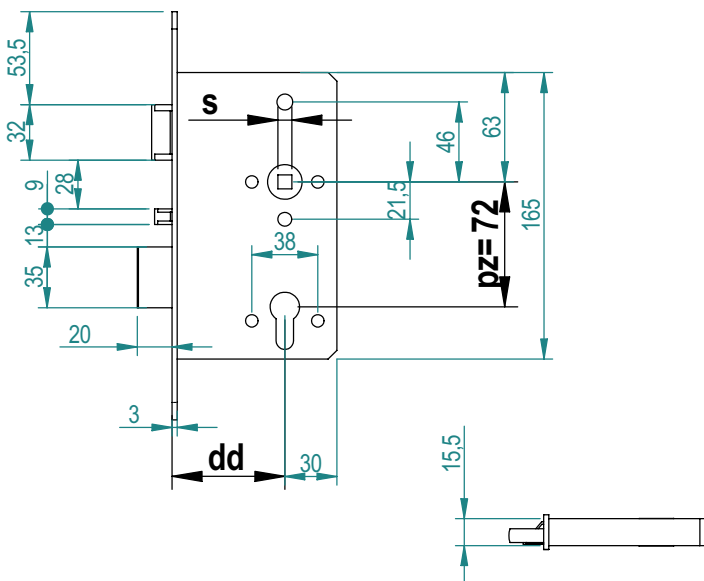


### ► Mechanical features



- Lock case, latch, and deadbolt made of steel.
- Axes distances 72mm.
- Euro profile cylinder compatible.
- 8mm or 9mm square spindle.
- Turning angle 30° or 45° depending on the model.
- Different backsets.
- Satin stainless steel.
- Automatic lock, the auxiliary latch (anticard) projects and deadlocks the deadbolt\*.
- The handle retracts the latch to normal position.
- Panic function option.
- Deadbolt detector option for electronic privacy function
- EN-1634 Certificated fire resistant\*.
- Round or square front plate available\*.
- Highest standards\*.
- EN 1125 compliant\*.

\*depending on the model

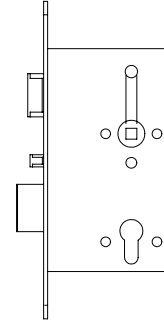


## ► Models available



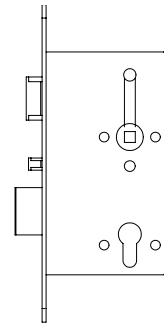
### Model W31

- Turning angle 30°
- Axes distances 72mm.



### Model E31

- Turning angle 45°
- Axes distances 72mm.



## ► About SALTO Systems:

Since its inception in 2001, SALTO Systems has grown to be the market leader in state-of-the-art electronic access control systems.

Recognising the need for a new access control concept, SALTO has developed a wide range of innovative products such as the SALTO Virtual Network and XS4 access control platform, while our electronic escutcheons, wall readers and on-line and off-line control units now control security access for a growing range of end users from Airports to Hospitals, Banks to Government Buildings and Universities to Hotels.

Our brand new HQ and high capacity manufacturing facility is fully equipped with the latest technology for JIT (Just in Time) manufacturing while substantial ongoing investment in a dedicated RD&I team (Research, Development and Innovation) enables us to stay at the cutting edge of modern mechanical, electronic and software design. This, together with ISO 9001:2008 and ISO 14001:2004 certification, ensures rigorous

quality management systems are in place to ensure the design, development and manufacturing of our electronic access control products always strive to achieve the highest possible standards of quality as required by you, our customers and for the environment.

Our distribution partner network now covers more than 70 countries to service international growth, and we have branch offices in Spain, UK, USA, Australia, Canada, Denmark, France, Finland, Germany, Holland, Mexico, Norway, Portugal, Singapore, Sweden and United Arab Emirates with more planned to open in other countries.

CONTACT:  
SALTO Systems HQ, Spain  
Polígono Lanbarren, C/ Arkotz, 9  
20180 Oiartzun, Spain

Tel.: +34 943 344 550  
info@saltosystems.com | www.saltosystems.com

**SALTO**  
inspired access

[www.saltosystems.com](http://www.saltosystems.com)

